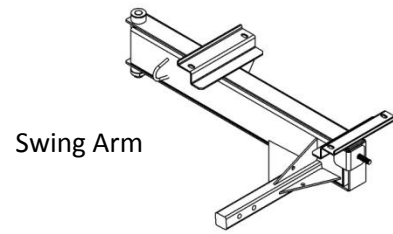
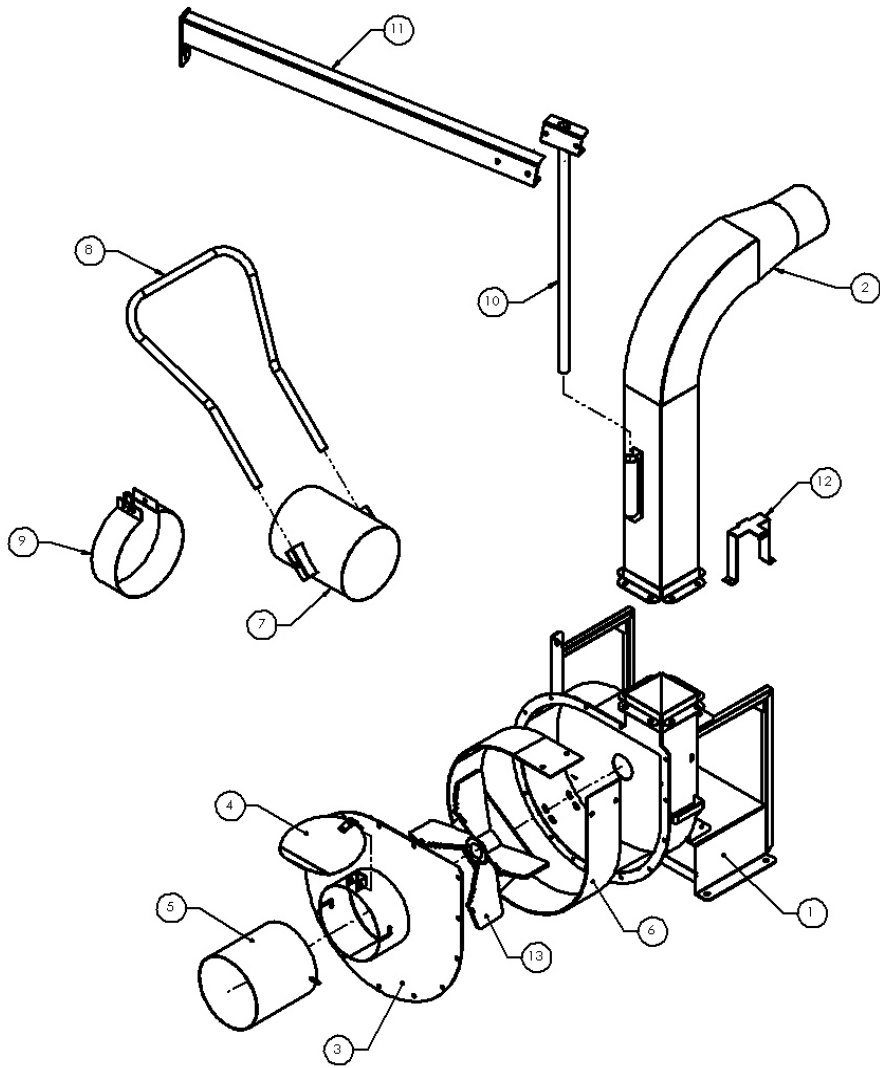


Replacements Parts: 18 HP Skid Mount Truck Loaders



Replacement Parts: 18 HP SKID Mount Truck Loaders

Item	Part Number	Description	Qty.
1	020035	Blower Housing Assembly	1
2	020036	Discharge Stack	1
3	020037	Intake Cover Assembly	1
4	020038	Door, Intake Cover	1
5	020039	Intake Hose Connector	1
6	020034	Wear Liner KIT	1
7	020040	Nozzle Assembly	1
8	020041	Handle	1
9	020042	Intake Hose Support Strap, 10"	1
10	020043	Boom Mast	1
11	020044	Boom Arm	1
12	020045	Battery Hold-Down	1
13	020028	Impeller Assembly	1
14	020065	Throttle Mounting Bracket	1
15	010014	Metal Hose Clamp (7")	1
16	010007	Worm Drive Clamp	1
17	010015	Shaft Spacer 18HP BVG	1
18	010016	Throttle Cable 18HP BVG	1
19	030024	Metal Hose (7"x30")	1
20	030090	Intake Hose (10"x10')	1
21	090006	Battery (12N14)	1
22	090007	Battery Cable (Red 8")	1
23	090010	Battery Cable (Black 13")	1

Optional Accessories:

Hitch Mount: PN# MPE-020002 (18HP / 14HP – Skid)
 Exhaust Stack Extension 24": PN# MPE- 020116 (18HP)